

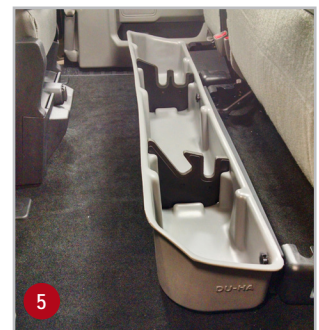
### 2015 - 2017 Ford F-150 & 2017 F-250 to F-550 SuperCab Underseat Storage

*Fits DU-HA Part Numbers*  
20106  
20107  
20108  
20109

#### Installation Instructions:

- 1 Flip up the seat bottoms of the back seats.
- 2 Using an 8mm socket remove the top two bolts from the factory storage divider (as shown by arrows in picture 1). **Note:** Some models do not have the factory divider or bolts. Refer to following page on how to create threads so you can use the knobs for installation. Some trucks have a vinyl floor which makes the DU-HA sit lower see following page for further instructions.
- 3 Position the DU-HA (A) under the back seat with the cut out slots in the DU-HA facing towards the truck bed.
- 4 Secure the DU-HA (A) in the truck using the knobs (D), insert the knob through the slot in the back of the DU-HA and thread into the holes from the previously removed bolts.
- 5 Install the (B) Foam Organizer / Gun Rack and (C) Plastic Stiffeners by sliding them into the channel slots inside the DU-HA, making sure the high side faces towards the front (as pictured).

Factory Divider



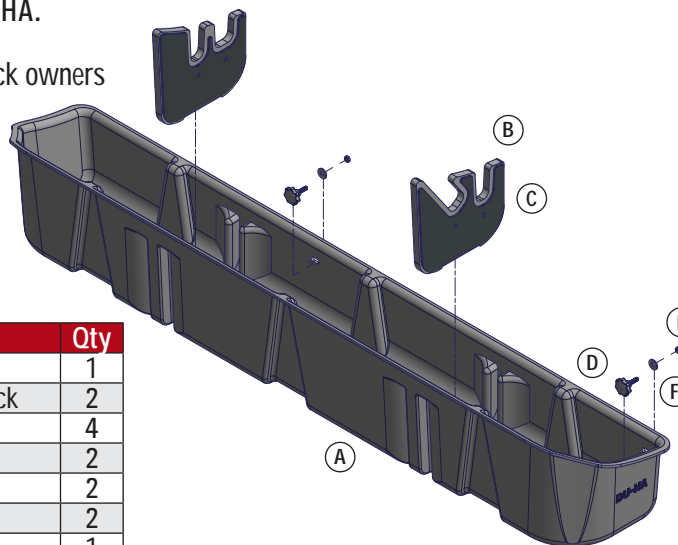
This is how the DU-HA should look installed under the back seat.

Pull the lever under each back seat to return the seat bottoms to the down position.  
*Please note: When the seat is down, it does not latch. The seat is designed to latch only when it is up. (To test this, you may put the seat down without the DU-HA underneath. Note that it does not latch down.)*

#### Safety Instructions:

**Warning:** Seat bottoms must be down at all times while vehicle is moving. Make sure the DU-HA is secured in the vehicle according to installation instructions. Do not store explosives or hazardous materials in the DU-HA. Do not place loaded guns in the DU-HA.

For further instructions refer to truck owners manual or contact DU-HA, Inc.



Part	Description	Qty
A	DU-HA Storage Unit	1
B	Foam Organizer / Gun Rack	2
C	Plastic Stiffener	4
D	Knob	2
E	Nut – M6	2
F	Washer – M6	2
G	Bolt – M6 TapTite	1

